

PRIOR ART

Fig. 1

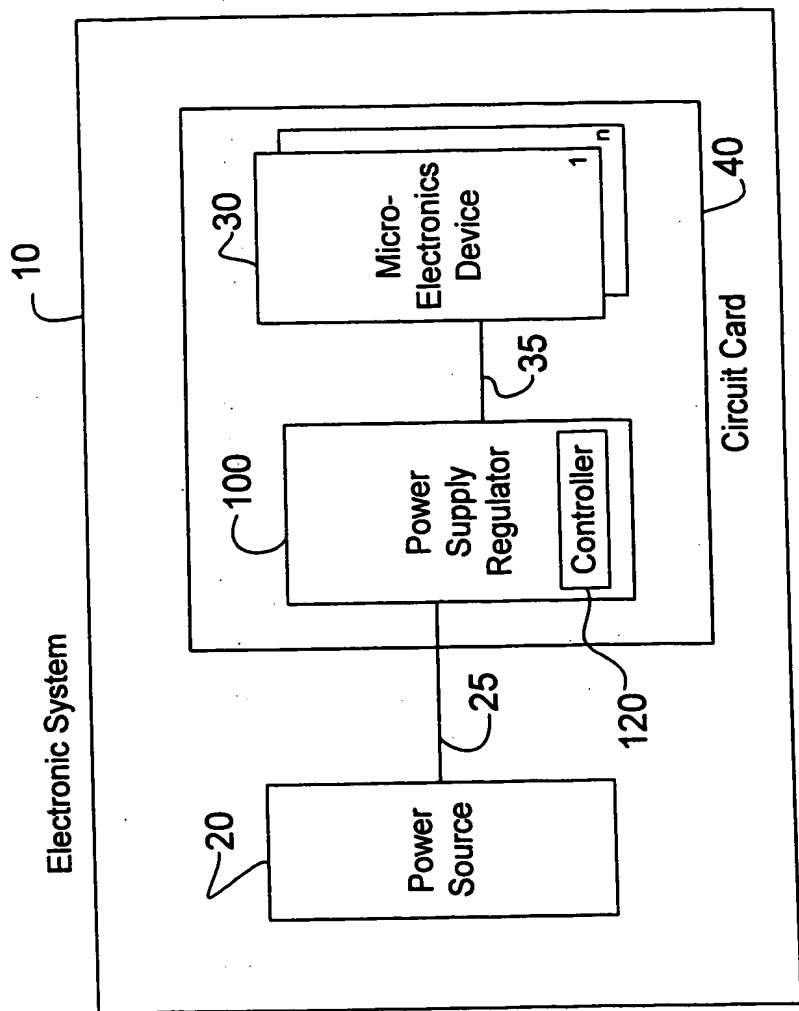


Fig. 2

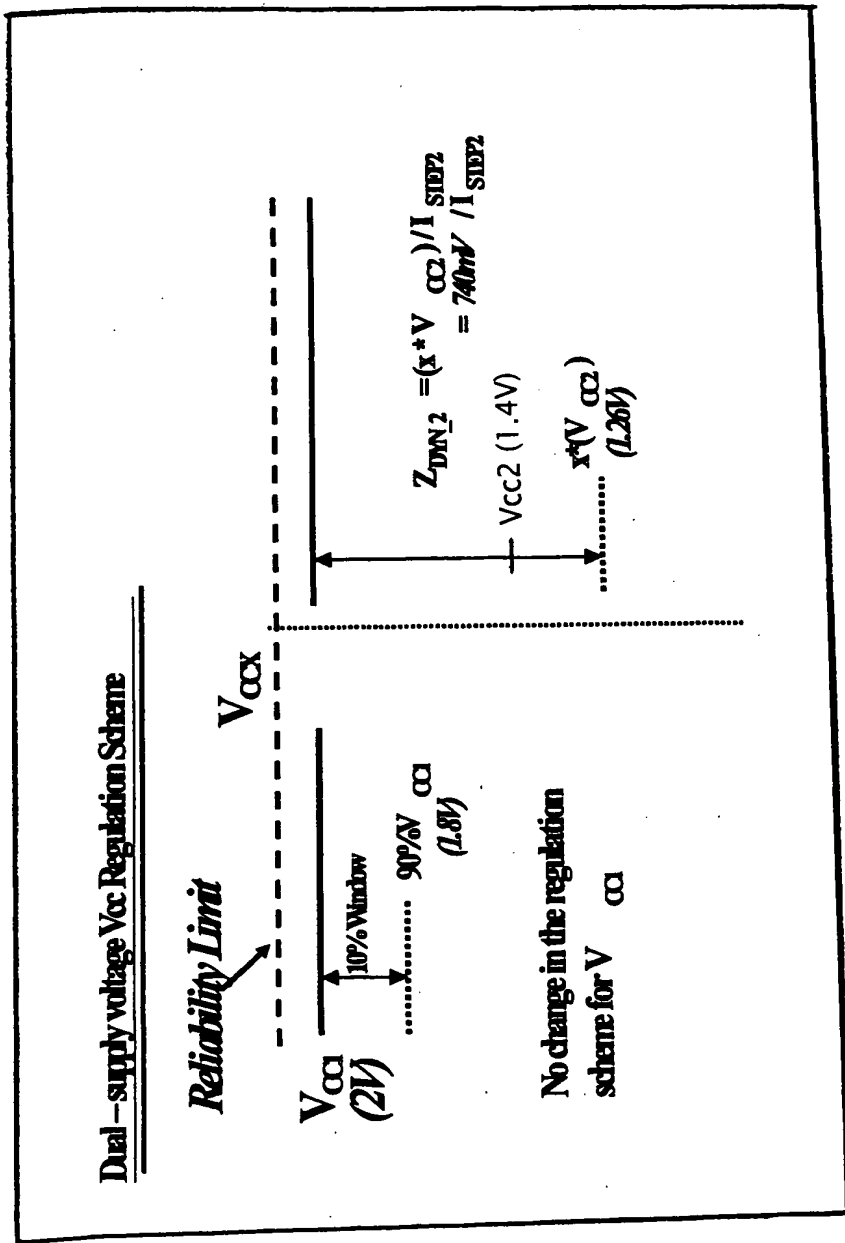


Fig. 3

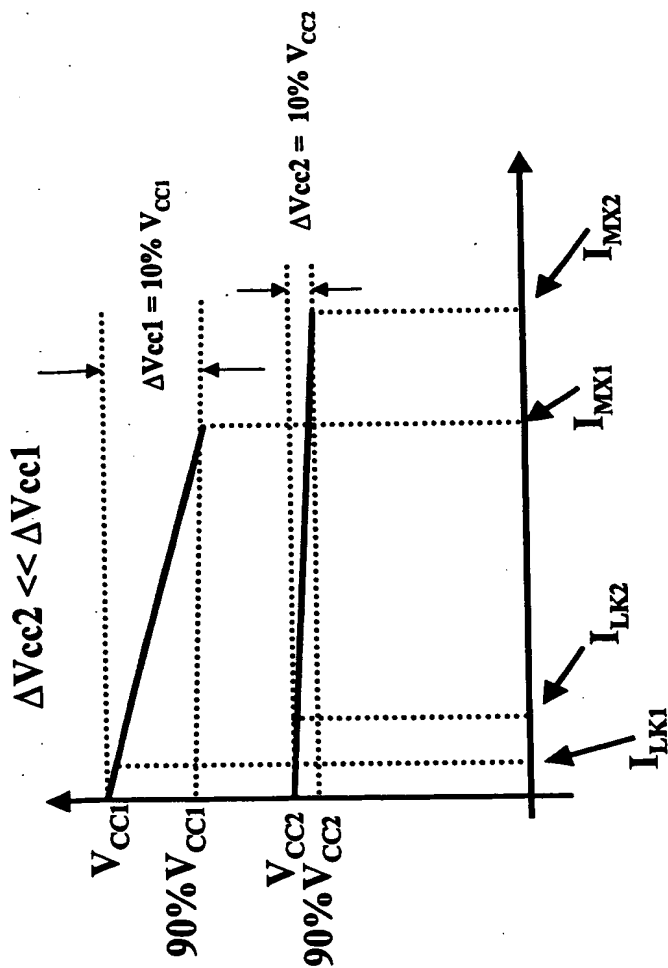


Fig. 4

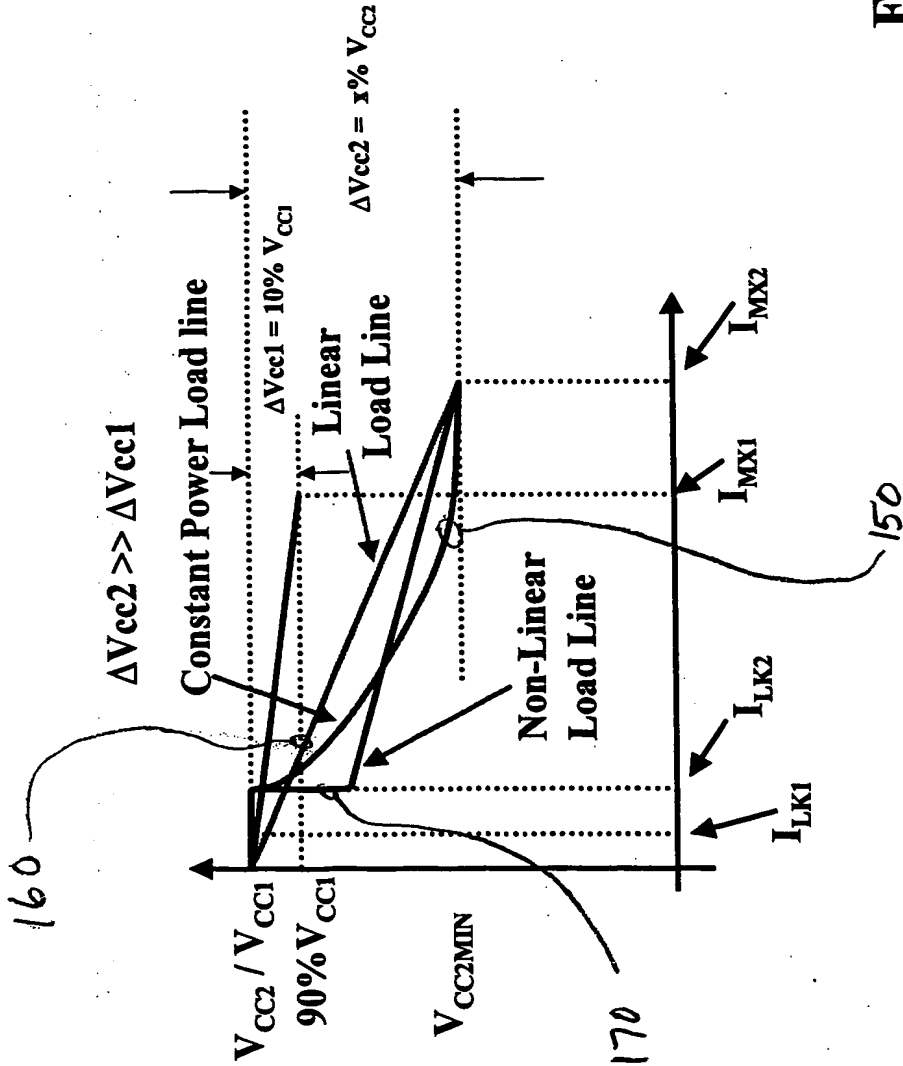


Fig. 5

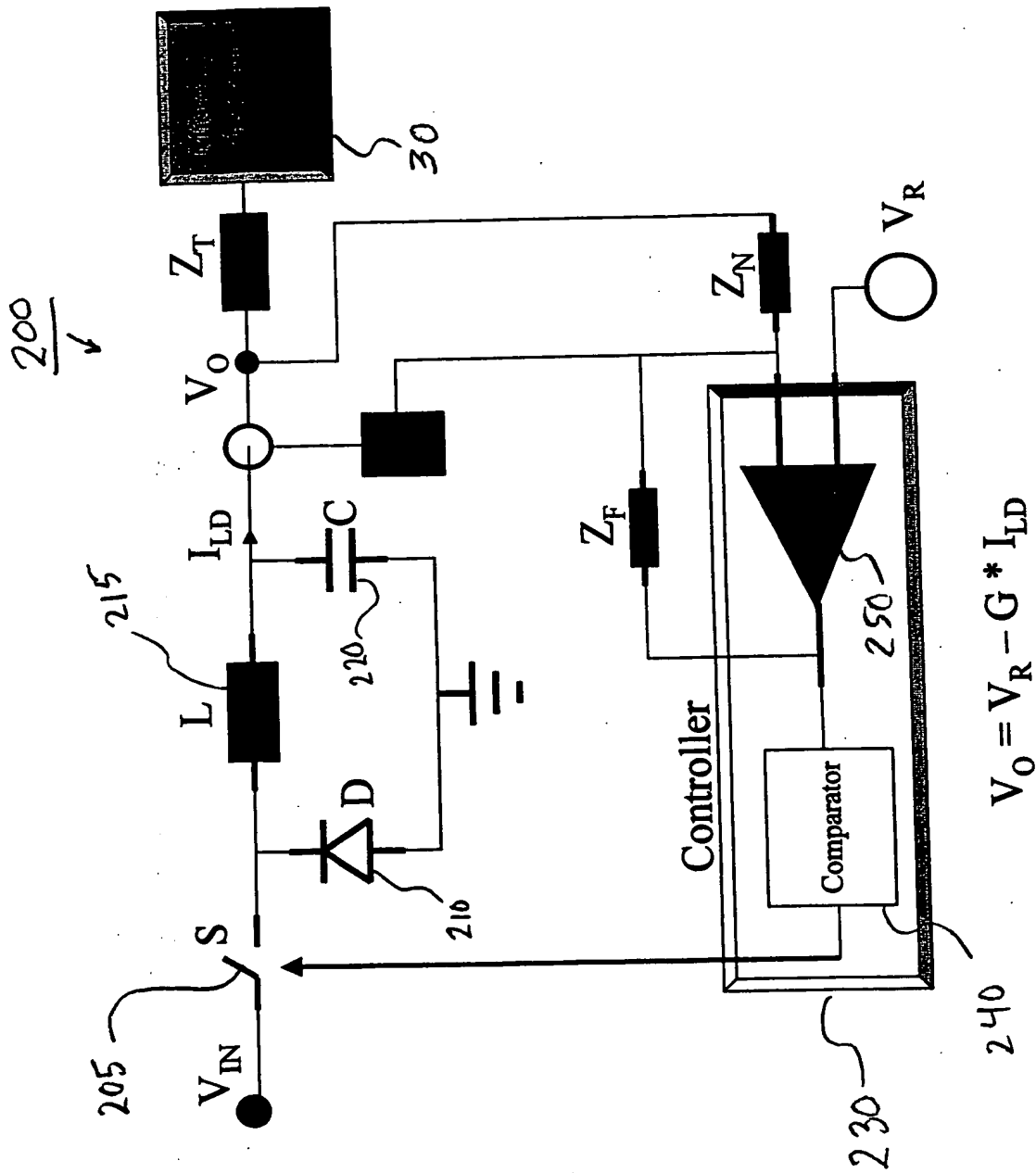
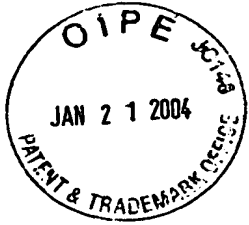


Fig. 6
 Z_F & Z_N form the compensation network



300

310

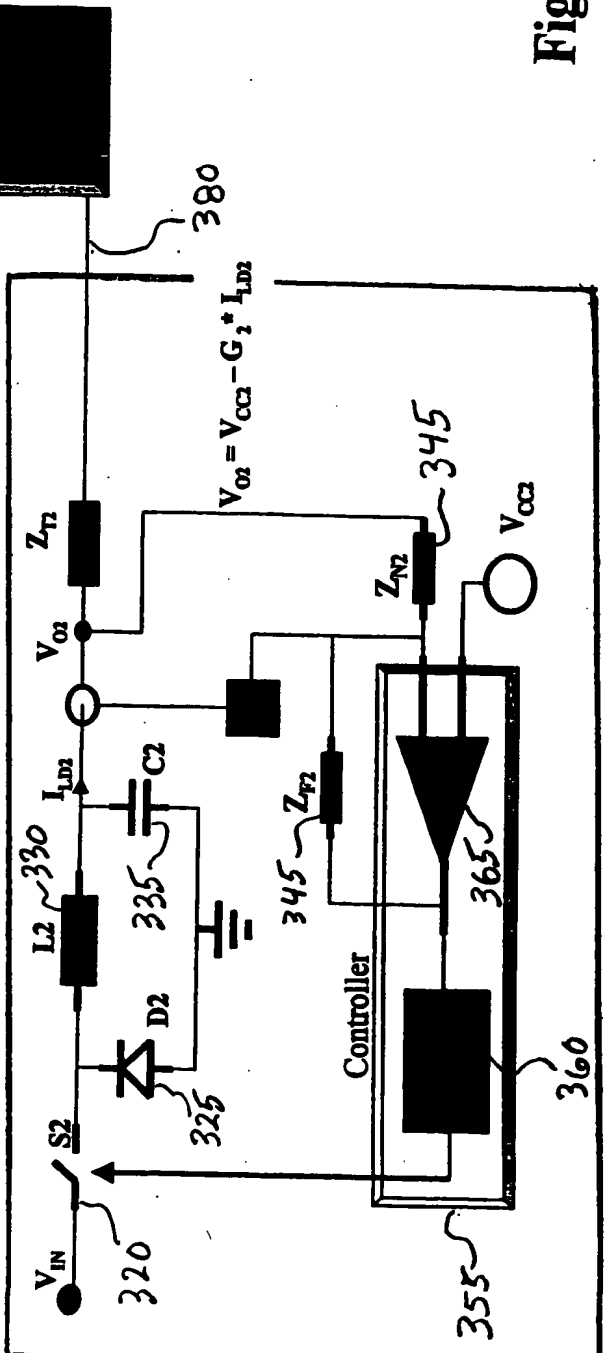
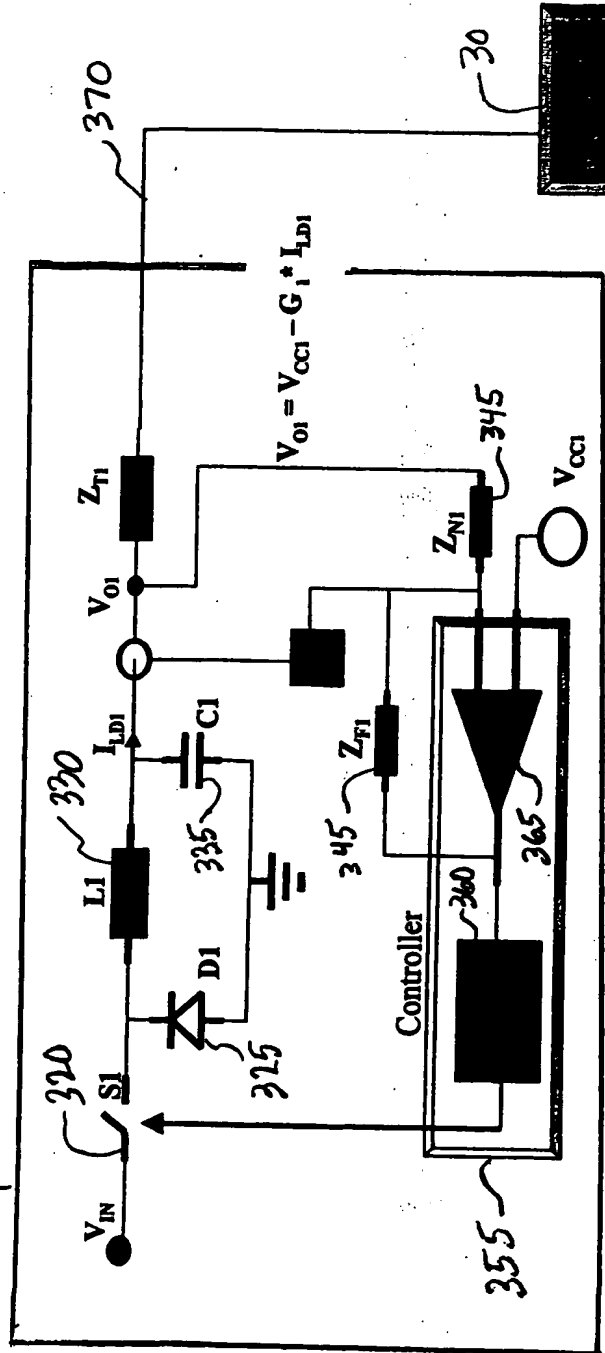


Fig. 7

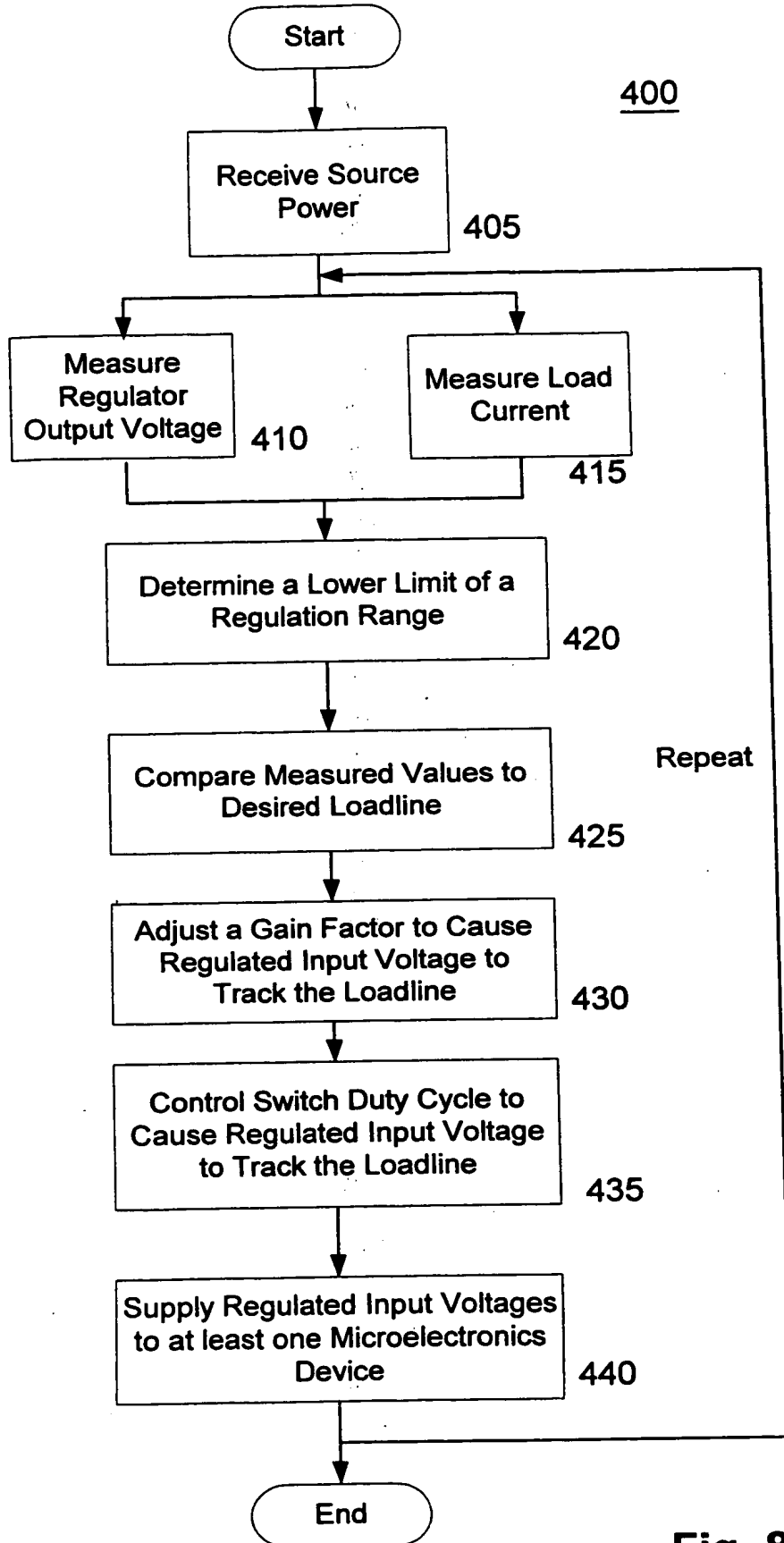


Fig. 8